

## Technical Specifications For 1 pair STB Box



## Technical Specifications For 1 pair STB Box

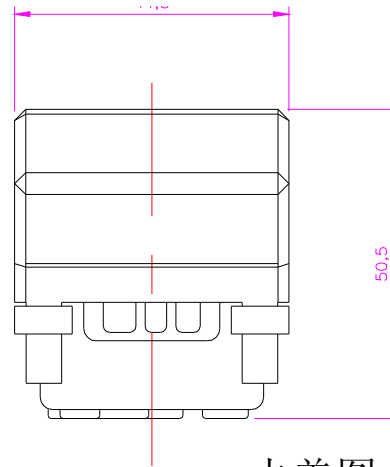
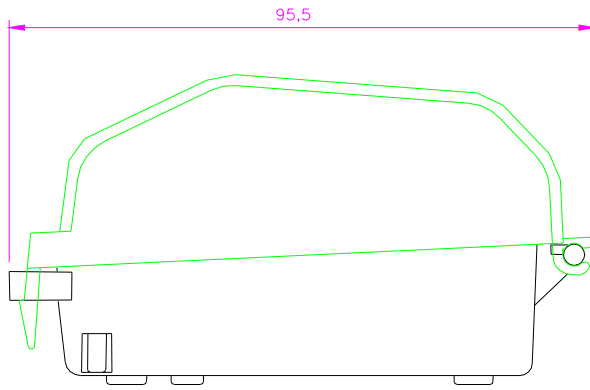


CHEERWE TELECOM CO.,LTD-2011 ALL RIGHTS

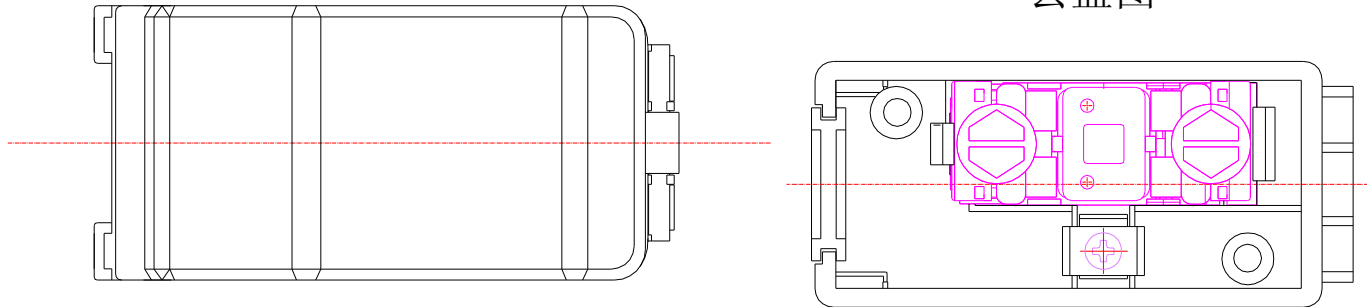


CHEERWE TELECOM CO.,LTD-2011 ALL RIGHTS RESERVED

## Technical Specifications For 1 pair STB Box



去盖图



## Technical Specifications For 1 pair STB Box

MATERIAL	TYPE
Pair/drop wire housing screw	Zn Material ,Plating -40N for Moment Of Force
Drop wire housing body	Transparent polycarbonate
BODY	Flame retardant (UL 94) polycarbonate
Cable/drop wire membrane	Thermoplastic rubber
Insertion contacts	Tinned phosphor bronze
Ground contacts	Stainless Steel 94
Continuity contacts	Tinned hard brass
Lower Sealant	Polymeric resin
Upper cable sealant	Grease
Pair bearing cover	White polycarbonate
Drop wire bearing cover	Transparent polycarbonate
O-Ring for module	EPDM
Box base and cover:	Polycarbonate & Colour RAL 7035
BRIDA CABLE	Stainless Steel AISI 304
screw M4	Stainless Steel AISI 304
nuts M4	Stainless Steel AISI 304
grommet for the box	EPDM